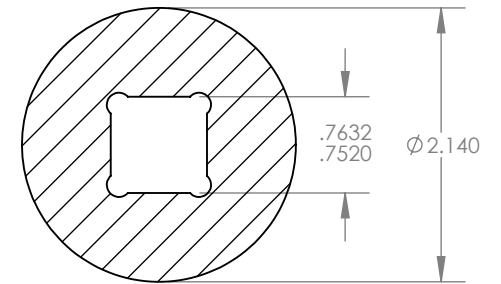
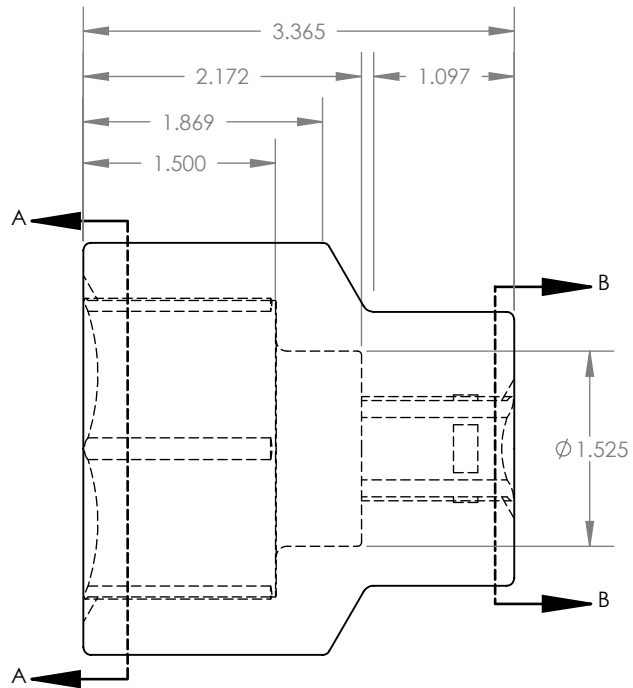
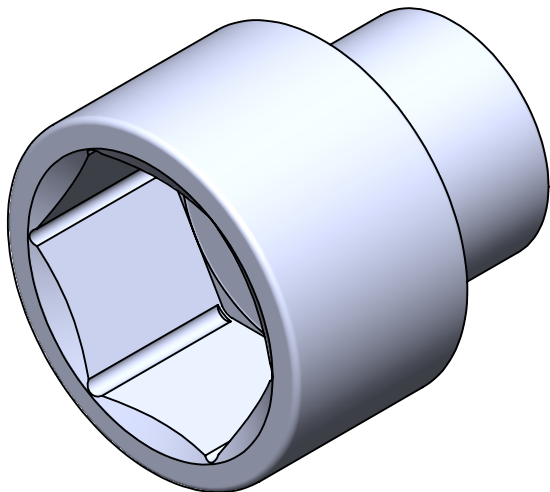


SECTION A-A  
SCALE 1 : 1.5



SECTION B-B  
SCALE 1 : 1.5



UNLESS OTHERWISE SPECIFIED: DIMENSIONS ARE IN INCHES				TOLERANCES: X.XX= ±0.13 X.XXX= ±0.031 X.XXXX= -0.0015	
DRAWN	NAME	SIGN	DATE		
APPVD	A.T.		08.27.19		

MATERIAL: 17-4 MAGNETIC S.S.

THIS DRAWING IS THE PROPERTY OF STERITool, INC. ANY REPRODUCTIONS OR MODIFICATIONS OF THIS DRAWING OR ITS CONTENTS WITHOUT THE CONSENT OF STERITool, INC. IS PROHIBITED.

**STERITool™**  
The Global Source for Stainless Steel Tools

TITLE: 2-5/16" X 3/4" DRIVE SOCKET	
PART NO. 12332	REV: A
SCALE: 1:1.5	SHEET 1 OF 1